



# HSM 805



model series



Technik die Freude macht.

# Technical data

## Engine (4 cyl.):

- VOLVO PENTA  
TAD581VE EU Stage V  
Engine output: 129 kW (175 HP) ab 1700 rpm  
Max. rpm: 800 Nm von 1100 - 1500 rpm  
Max. torque: 816 Nm bei 1380 rpm  
Engine capacity: 5,13 liters

Optional:

- VOLVO PENTA  
TAD583VE EU Stage V  
Power: 175 kW (238 HP) at 1750 rpm  
max. revolution: 947 Nm at 1200 - 1750 rpm  
max. torque: 969 Nm at 1380 rpm  
Displacement: 5,13 liter

## Transmission:

- HSM TwinPowerDrive

## Axles:

- Planetary axles
- 100% separately selectable differential locks, front and rear

## Brake:

- 2-circuit brake, disk brake running in an oil bath
- Spring-loaded parking brake

## Steering:

- Articulated steering with 2 cylinders
- 45° steering angle

## Tank capacity:

- Diesel: 175 l
- AdBlue: 25 l
- Hydraulic fluid: 90 l

## Hydraulics:

- Load sensing
- Pump output: Flow rate: 232 litres/min at 1600 rpm  
Pressure: up to 350 bar
- Hydraulic fluid: Saturated, synthetic ester  
Panolin HLP SYNTH with Kleenoil  
Microfiltration, WGK 1

## Cabin:

- HSM Panorama comfort cab
- ROPS, FOPS, OPS tested safety cab
- Swivel seat device, air-suspended comfort seat
- heating/air-conditioning

## Electrical system / Instruments:

- HSM Ecommand colour-display
- 5 operator programs + factory setting
- diagnosis-tool and error-indication, graphic support at parameter editing
- generator 110 A (28 V)
- 2 service-free dry batteries á 55 Ah

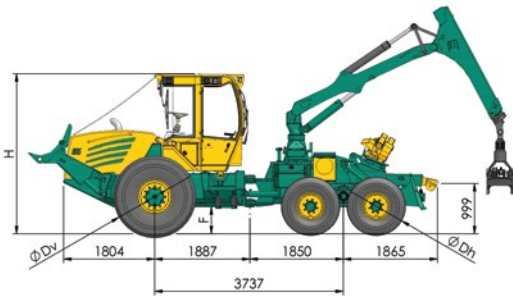
## Standard equipment:

- 12 LED work lamps, 24 V - 12 V voltage transformer, Radio with CD player, fire extinguisher, first-aid kit, warning, triangle, tool set
- Torsion lock with 2 hydraulic cylinders and much more

## Special accessories:

- Tiltable front polder shield, front loader (Hauer), trailer hitch, outer hydraulic connection, remote control for cable winch, wireless driving, auxiliary heating, sun blinds, seat damping pad
- Additional accessories on request

# 805 6WD



## Winches:

- Serial: Adler HY 20 (2 x 100 kN) double-drum winch  
Max. cable take-up of 14 mm, 100 m
- Optional: Adler HY 24-SG (2 x 120 kN) double-drum winch  
Max. cable take-up of 14 mm, 130 m

## Weight:

- from 14 100 kg

## Forwarder:

- Epsilon S120 R80  
(max. range 8 m, lifting moment 139 kNm gross)
- Epsilon S120 R96  
(max. range 9.6 m, lifting moment 139 kNm gross)

## Tyres:

- | Serial:       | Size:       | Minimum width: | H:   | F:  |
|---------------|-------------|----------------|------|-----|
| At the front: | 23.1 x 26   | 2550 mm        | 3170 | 530 |
| At the rear:  | 710/40x22.5 |                |      |     |

The minimum width changes when using belts (+100). Other tyres on request.

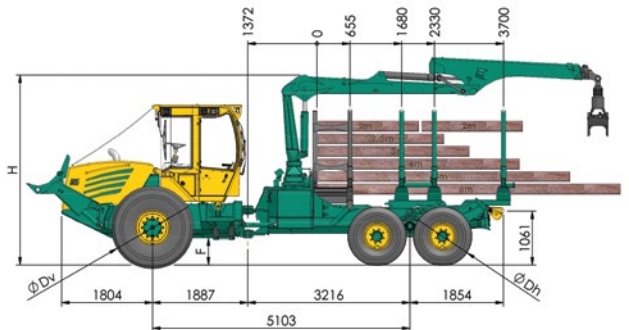
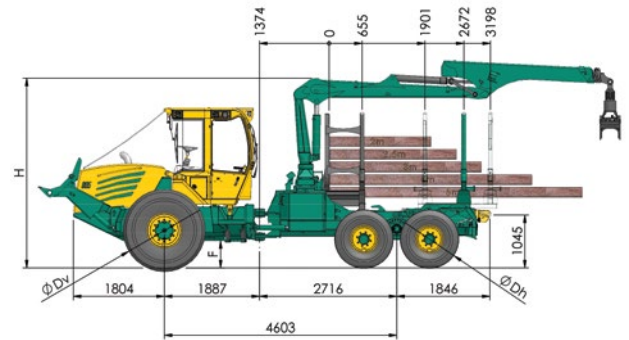
## Standard equipment:

- Fixed front polder shield, 2000 mm wide
- Lowerable straight shield
- Epsilon crane S120 R80

## Special equipment:

- Clamping workbench on roll supports
- Engine bonnet protection and brush guard made from tubing
- Bogielift at the rear
- Additional accessories on request

# 805 Kombi short/long



## Winches:

- Serial: Adler HY 16 (2 x 80 kN) double-drum winch  
Max. cable take-up of 14 mm, 100 m
- Optional: Adler HY 20 (2 x 100 kN) double-drum winch  
Max. cable take-up of 14 mm, 100 m

## Weight:

- from 14 600 kg / 14 800 kg

## Payload:

- 9 t

## Forwarder:

- Epsilon crane M70 F80 (Series)
- Additional cranes on request

## Tyres:

- | Serial:       | Size:       | Minimum width: | H:   | F:  |
|---------------|-------------|----------------|------|-----|
| At the front: | 23.1 x 26   | 2550 mm        | 3540 | 530 |
| At the rear:  | 710/40x22.5 |                |      |     |
| • Optional:   | 28L-26      | 2600 mm        |      |     |
|               | 620/75-26   | 2400 mm        |      |     |
|               | 600/65-34   | 2360 mm        |      |     |
|               | 710/55-34   | 2620 mm        |      |     |
|               | 67x34-25    | 3000 mm        |      |     |

The minimum width changes when using belts (+100). Other tyres on request.

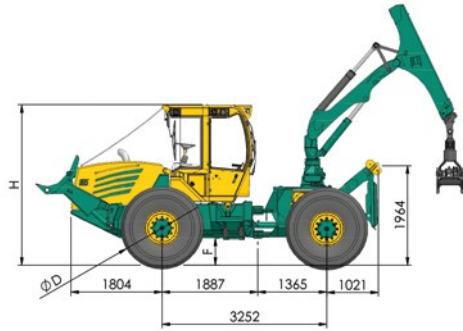
## Standard equipment:

- Headboard grid and first stanchion removable
- Last stanchion can be removed and adjusted to  
(short) 1,9 m, 2,7 m and 3,2 m  
(long) 2,4 m, 3,1 m and 3,7 m
- Height-adjustable roller block
- reversing camera with color monitor
- rear headlights

## Special equipment:

- Front polder shield
- Straight shield
- Clamping workbench with quick-change plate
- Rotating stanchion
- Kombi long: Twin stanchions as 2nd and 3rd stanchion on quick-change plate
- Additional accessories on request

# 805HD



## Winches:

- Serial: Adler HY 20 (2 x 100 kN) double-drum winch  
Max. cable take-up of 14 mm, 100 m
- Optional: Adler HY 24-SG (2 x 120 kN) double-drum winch  
Max. cable take-up of 14 mm, 130 m  
Adler HY 32-SG (2 x 160 kN) double-drum winch  
Max. cable take-up of 16 mm, 100 m

## Weight:

- from 12 000 kg

## Forwarder:

- Epsilon M80 R59 - R80  
(max. range 8 m, lifting moment 95 kNm gross)
- Epsilon M90 R59 - R80  
(max. range 8 m, lifting moment 104 kNm gross)
- Epsilon S110 R59 - R72  
(max. range 8 m, lifting moment 126 kNm gross)
- Mesera M102 R67 - R73  
(max. range 7.3 m, lifting moment 130 kNm gross)
- Additional cranes on request

## Tyres:

	Size:	Total width:	H:	F:
• Serial:	23.1 x 26	2360 mm	3170	530
• Optional:	28L-26	2600 mm	3176	536
	620/75-26	2400 mm	3149	509
	600/65-34	2360 mm	3202	562
	710/55-34	2620 mm	3203	563
	67x34-25	3000 mm	3162	525

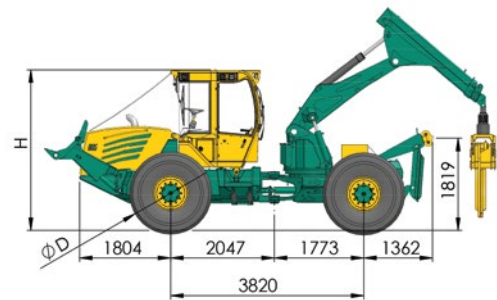
## Standard equipment:

- Fixed front polder shield, 2000 mm wide
- Lowerable straight shield
- Epsilon crane M80 R59

## Special equipment:

- Hydraulically height-adjustable roller block
- Clamping workbench on height-adjustable roller block
- Straight shield with sprag brake
- "Skidder France" version pulley
- Engine bonnet protection and brush guard made from tubing
- Additional accessories on request

# 805HD ZL



## Winches:

- Serial: Adler EHY 10 (1 x 100 kN) single-drum winch  
Max. cable take-up of 14 mm, 80 m
- Optional: Adler HY 20 (2 x 100 kN) double-drum winch  
Max. cable take-up of 14 mm, 100 m  
Adler HY 24-O (2 x 120 kN) double-drum winch  
Max. cable take-up of 14 mm, 130 m  
Adler HY 32-O (2 x 160 kN) double-drum winch  
Max. cable take-up of 16 mm, 100 m  
Adler HY 32-LO double-drum winch

## Weight:

- from 12 800 kg

## Forwarder:

- Serial:  
Articulated arm with simple telescope: 6.1 m range  
Gross lifting moment: 270 kNm  
Swivel range: 210°  
Pivoting moment: 80 kNm  
Gripper cross-section: 1.2 m<sup>2</sup> (opt. 0.9 m<sup>2</sup>)
- Optional: Articulated arm with double telescope: 7.5 m range

## Tyres:

	Size:	Total width:	H:	F:
• Serial:	23.1 x 26	2360 mm	3170	530
• Optional:	28L-26	2600 mm	3176	536
	620/75-26	2400 mm	3149	509
	600/65-34	2360 mm	3202	562
	710/55-34	2620 mm	3203	563
	67x34-25	3000 mm	3162	525

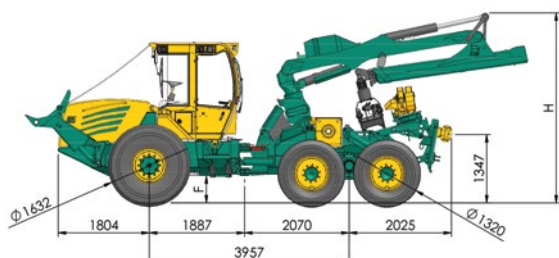
## Standard equipment:

- Fixed front polder shield, 2000 mm wide
- Straight shield as sprag brake

## Special equipment:

- Hydraulically height-adjustable roller block
- "Skidder France" version pulley
- Straight shield „France“
- Engine bonnet protection and brush guard made from tubing
- Additional accessories on request

# 805HD 6WD



## Winches:

- Serial: Adler HY 20 (2 x 100 kN) double-drum winch  
Max. cable take-up of 14 mm, 100 m
- Optional: Adler HY 24-O (2 x 120 kN) double-drum winch  
Max. cable take-up of 14 mm, 130 m  
Adler HY 32-O (2 x 160 kN) double-drum winch  
Max. cable take-up of 16 mm, 100 m

## Weight:

- from 15300 kg

## Forwarder:

- Serial: Tilttable Epsilon X150 R80  
(Max. range 8 m, 170 kNm gross lifting moment)
- Optional: Tilttable Epsilon X150 R104  
(Max. range 10.4 m, 170 kNm gross lifting moment)

## Tyres:

- | Serial:       | Size:       | Minimum width: | H:   | F:  |
|---------------|-------------|----------------|------|-----|
| At the front: | 23,1 x 26   | 2550 mm        | 3595 | 530 |
| At the rear:  | 710/45x26.5 |                |      |     |

The minimum width changes when using belts (+100). Other tyres on request.

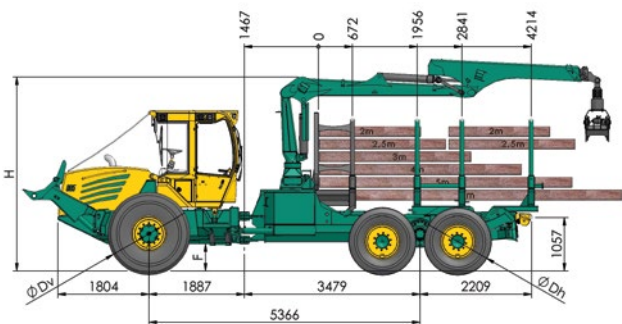
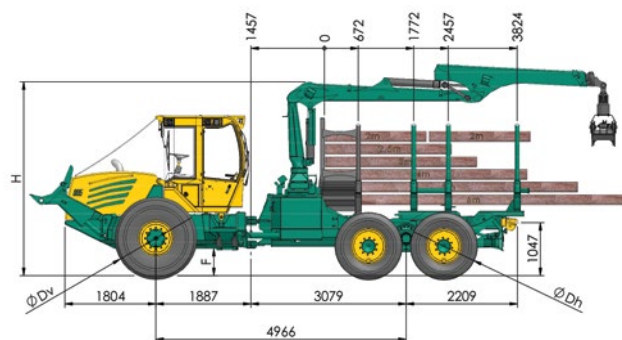
## Standard equipment:

- Fixed front polder shield, 2000 mm wide
- Straight shield as sprag brake

## Special equipment:

- Clamping workbench on height-adjustable roller block
- "Skidder France" version pulley
- Engine bonnet protection and brush guard made from tubing
- Additional accessories on request
- Bogielift back

# 805HD Kombi short/long



## Winches:

- Serial: Adler HY 20 (2 x 100 kN) double-drum winch  
Max. cable take-up of 14 mm, 100 m
- Optional: Adler HY 24-SG (2 x 120 kN) double-drum winch  
Max. cable take-up of 14 mm, 130 m  
Adler HY 32-SG (2 x 160 kN) double-drum winch  
Max. cable take-up of 16 mm, 100 m

## Weight:

- from 15300 kg / 15500 kg

## Payload:

- 11 t

## Forwarder:

- Epsilon crane M70 F80 (Series)
- Additional cranes on request

## Tyres:

- | Serial:       | Size:       | Minimum width: | H:   | F:  |
|---------------|-------------|----------------|------|-----|
| At the front: | 23,1 x 26   | 2550 mm        | 3670 | 530 |
| At the rear:  | 710/45x26.5 |                |      |     |
| • Optional:   | 28L-26      | 2600 mm        | 3164 | 631 |
|               | 620/75-26   | 2400 mm        | 3137 | 604 |
|               | 600/65-34   | 2360 mm        | 3190 | 657 |
|               | 710/55-34   | 2620 mm        | 3191 | 658 |
|               | 67x34-25    | 3000 mm        | 3150 | 620 |

The minimum width changes when using belts (+100). Other tyres on request.

## Standard equipment:

- Headboard grid and first stanchion removable
- Last stanchion can be removed and adjusted to  
(short) 2,4 m, 3,2 m and 3,8 m  
(long) 2,8 m, 3,6 m and 4,2 m
- Height-adjustable roller block
- reversing camera with color monitor
- rear headlights

## Special equipment:

- Front polder shield
- Straight shield
- Clamping workbench with quick-change plate
- Twin stanchions as 2nd and 3rd stanchion on quick-change plate
- Rotating stanchion
- Bogielift at the rear
- Additional accessories on request

# The variable rear

# HSM Crane-list



Last stanchion variable in "short" position



Last stanchion variable in "centre" position



Last stanchion variable in "long" position



Quick-change twin stanchion for 2 x 2 or 2 x 2.5 m wood (not for 805F short version)



Height-adjustable pulleys Up to 2 m



Rope forwarding possible Without reconfiguring the stanchion



Log forwarding with quick-change clamping workbench



Rope forwarding possible without reconfiguring the clamping workbench

HSM Hohenloher Spezial-Maschinenbau GmbH & Co. KG

Technik die Freude macht.

X = available with surcharge O = standard equipment # = not available

	Crane type	Lifting moment	Range	Gripper type	805F
					Kombi
<b>EPSILON</b>	M70 F80	102/68 kNm	8,0 m	FG43S	O
	M70 F86	102/68 kNm	8,6 m	FG43S	X
	M70 F101	102/65 kNm	10,1 m	FG43S	X
	M80 F80	114/79 kNm	8,0 m	FG43S	X
	M80 F86	114/79 kNm	8,6 m	FG43S	X
	M80 F101	114/75 kNm	10,1 m	FG43S	X
	S100 F80	128/91 kNm	8,0 m	FG43S	X
	S100 F86	128/90 kNm	8,6 m	FG43S	X
	S100 F101	128/86 kNm	10,1 m	FG43S	#
	S110 F80	143/104 kNm	8,0 m	FG43S	#
	S110 F86	143/104 kNm	8,6 m	FG43S	#
	S110 F101	143/100 kNm	10,1 m	FG43S	#
	X120 F80	159/111 kNm	8,0 m	FG43S	#
	X120 F86	159/110 kNm	8,6 m	FG43S	#
	X120 F102	159/107 kNm	10,2 m	FG43S	#
	X140 F80	173/123 kNm	8,0 m	FG43S	#
	X140 F86	173/122 kNm	8,6 m	FG43S	#
X140 F102	173/119 kNm	10,2 m	FG43S	#	
Low crane pillar (height: 1730 mm)					
<b>Mesera</b>	F71 F72	99/75 kNm	7,2 m	FG43S	X
	F71 FT85	99/70 kNm	8,5 m	FG43S	X
	F71 FT100	99/66 kNm	10,0 m	FG43S	X
	F71 FT100i	99/66 kNm	10,0 m	FG43S	X
	F83 F72	106/82 kNm	7,2 m	FG43S	X
	F83 FT85	106/76 kNm	8,5 m	FG43S	X
	F83 FT100i	106/73 kNm	10,0 m	FG43S	X
	M 92 F80i	130/84 kNm	8,0 m	FG43S	X
	M 92 FT86i	130/84 kNm	8,6 m	FG43S	#
	M 92 FT100i	130/84 kNm	10,0 m	FG43S	#
	F111 F72	151/111 kNm	7,2 m	FG43S	#
	F111 F85	151/100 kNm	8,5 m	FG43S	#
	F111 FT85	151/100 kNm	8,5 m	FG43S	#
	F111 FT91	151/98 kNm	9,1 m	FG43S	#
	F111 FT100	151/101 kNm	10,0 m	FG43S	#
	M122 F85i	155/110 kNm	8,5 m	FG43S	#
	M122 F96i	155/- kNm	9,6 m	FG43S	#
	M122 FT100i	155/- kNm	10,0 m	FG43S	#
	M142 F85i	178/132 kNm	8,5 m	FG43S	#
M142 F96i	178/124 kNm	9,6 m	FG43S	#	
M142 FT100i	178/- kNm	10,0 m	FG43S	#	

Technical subject to change - July 2019 HSM805\_en\_photon-sh-0719

D-74635 Neu-Kupfer  
Im Greut 10

Phone + 49 7944 / 9191-0

Fax + 49 7944 / 9191-77

E-mail: [info@hsm-forest.com](mailto:info@hsm-forest.com)

[www.hsm-forest.com](http://www.hsm-forest.com)

