



HSM 208F



7 to / 9 to models



Technik die Freude macht.

Technical data 208F 7 to / 9 to models

Engine:

- IVECO
- NEF 4 cyl. Common Rail Turbo / TIER3B
- power: 125 kW (170 HP)
- max. revolution: 2200 rpm
- max. torque: 700 nm at 1500 rpm
- displacement: 4,5 liter

Power train:

- HSM High Speed Drive (serial 71) speed at 1st gear 0-14 km/h
- NAF 2 speed transfer gearbox

Brake:

- brake with 2-circles, oil-cooled multiple-disc power-brake
- spring accumulator - parking brake

Steering:

- articulated frame steering with 2 cylinders
- steering angle 45°

Hydraulic system:

- load sensing
- variable pump (working pump):
 - 7 t: flow rate: 152 l/min at 1600 rpm
pressure: up to max. 350 bar
 - 7 t option: flow rate: 232 l/min at 1600 rpm
pressure: up to max. 350 bar
 - 9 t: flow rate: 232 l/min at 1600 rpm
pressure: up to max. 350 bar
- hydraulic oil: saturated, synthetic ester Panolin HLP SYNTH with Kleenoil microfiltration; WGK 1

Cabin:

- raisable to side on parallel linkages
- ROPS, FOPS, OPS tested
- rotary seat with pedals in front and rear
- wiper in front and rear, optional on the side
- air cushioned seat with seat heating
- hot-water heating
- air conditioning

Electrical system / Instruments:

- HSM EComand colour-display
- 5 operator programs + factory setting
- diagnosis-tool and error-indication
- graphic support at parameter editing
- generator 24 V, 90 A
- 2 service-free dry batteries á 55 Ah
option: 4 service-free dry batteries á 55 Ah

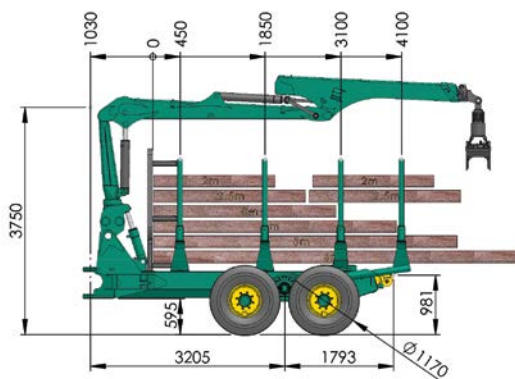
Standard equipment:

- 14 LED-working headlight at cabin
- 4 working headlights at crane
- potential transformer 24 V - 12 V
- radio with CD
- fire extinguisher
- first aid kit
- warning triangle
- tool kit
- cooling box
- reversing camera with color monitor
- rear headlights
- twist lock with 2 hydraulic cylinders

Special equipment:

- front dozer-blade
- tandem axle lift (Bogielift)
- tandem axle lift front separately controllable
- single-drum winch 7 to / 10 to
- turnable rung
- last rung pluggable/removeable
- tiltable crane
- quick-change system for rung
- clambunk
- auxiliary heating
- bogie-tracks
- radio control for winch
- drive by radio
- sun blinds
- moveable front grid
- pluggable front grid
- other options on request

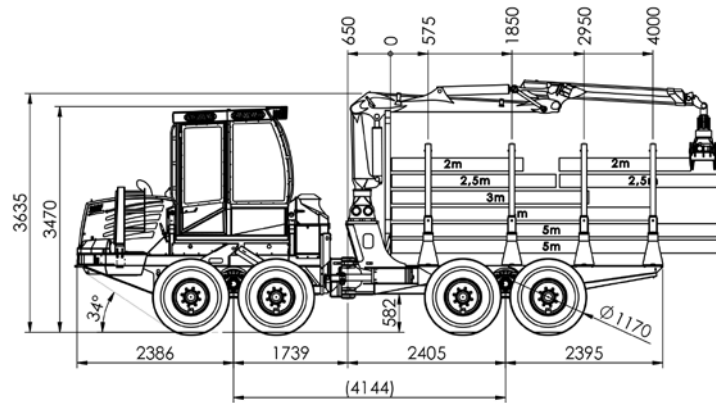
9 to rear frame with tiltcrane and winch



Diagrammed:

- single drum-rearwinch
- turnable rung
- 4th rung pluggable
- 2nd rung slideable
- crane tiltable with angle - 5° / + 26°
- 9 t with a long wheelbase

208F 7 to



Weight:

- 12900 kg (serial)
- weight distribution: front axle: 60 %
rear axle: 40 %

Tires:

	width:	overall width:	width for tracks:
• Serial:	600/50-22,5	2300 mm	2400 mm
• optional:	650/45-22,5	2400 mm	2500 mm
	710/40-22,5	2500 mm	2600 mm

Axels:

- NAF portal-bogie-axles
- front: switchable differential lock 100 %
- rear: switchable differential lock 100 %

Crane:

- serial: - Epsilon C60 F69
- other cranes behold crane-list

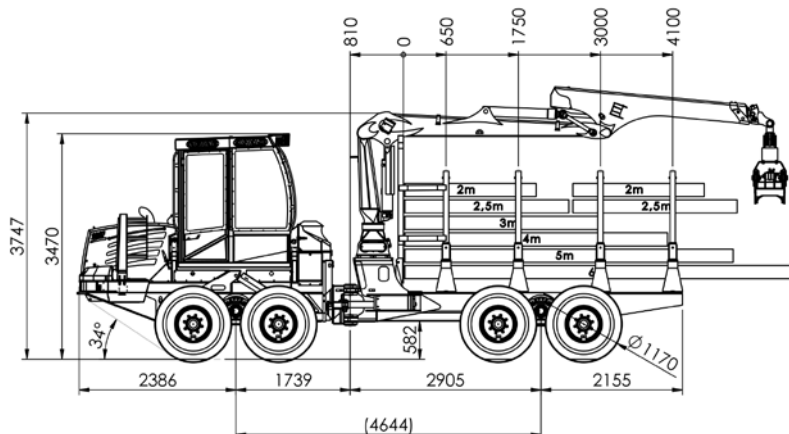
Tank capacity:

- diesel: 150 l
- AdBlue: 25 l
- hydraulic oil: 110 l

Loading area:

- 4 rungs
- length: 4000 mm
- cross section: 2,9 m², option: 3,3 m²
- load capacity: 7 to

208F 9 to



Weight:

- 13800 kg (serial)
- weight distribution: front axle: 60 %
rear axle: 40 %

Tires:

	width:	overall width:	width for tracks:
• Serial:	710/40-22,5	2500 mm	2600 mm
• optional:	600/50-22,5	2300 mm	2400 mm
	650/45-22,5	2400 mm	2500 mm

Axels:

- NAF portal-bogie-axles
- front: switchable differential lock 100 %
- rear: switchable differential lock 100 %

Crane:

- serial: - Epsilon M70 F80
- other cranes behold crane-list

Tank capacity:

- diesel: 150 l
- AdBlue: 25 l
- hydraulic oil: 110 l

Loading area:

- 4 rungs
- length: 4100 mm
- cross section: 3,6 m², option: 3,9 m²
- load capacity: 9 to

HSM Crane-list

X = available against surcharge O = standard equipment # = not available

	Crane typ	lift moment	reach	grapple Typ	208F			
					7 to	9 to	10 to	6WD
EPSILON	C60 F69	82/63 kNm	6,9 m	FG43S	O	X	X	#
	C60 F86	82/51 kNm	8,6 m	FG43S	X	X	X	#
	M70 F80	102/68 kNm	8,0 m	FG43S	X	O	O	O
	M70 F86	102/68 kNm	8,6 m	FG43S	X	X	X	X
	M70 F101	102/65 kNm	10,1 m	FG43S	X	X	X	X
	M80 F80	114/79 kNm	8,0 m	FG43S	X	X	X	X
	M80 F86	114/79 kNm	8,6 m	FG43S	X	X	X	X
	M80 F101	114/75 kNm	10,1 m	FG43S	X	X	X	X
	S100 F80	128/91 kNm	8,0 m	FG43S	X	X	X	X
	S100 F86	128/90 kNm	8,6 m	FG43S	X	X	X	X
	S100 F101	128/86 kNm	10,1 m	FG43S	X	X	X	X
	S110 F80	143/104 kNm	8,0 m	FG43S	#	#	#	X
	S110 F86	143/104 kNm	8,6 m	FG43S	#	#	#	X
	S110 F101	143/100 kNm	10,1 m	FG43S	#	#	#	X
	X120 F80	159/111 kNm	8,0 m	FG43S	#	#	#	#
	X120 F86	159/110 kNm	8,6 m	FG43S	#	#	#	#
	X120 F102	159/107 kNm	10,2 m	FG43S	#	#	#	#
	X140 F80	173/123 kNm	8,0 m	FG43S	#	#	#	#
	X140 F86	173/122 kNm	8,6 m	FG43S	#	#	#	#
	X140 F102	173/119 kNm	10,2 m	FG43S	#	#	#	#
low crane column (height 1730 mm) series at steep slope and kombi					X	X	X	X
Mesera	F59 F72	78/56 kNm	7,2 m	FG43S	X	X	X	X
	F59 FT85	78/51 kNm	8,5 m	FG43S	X	X	X	X
	F59 FT100	78/47 kNm	10,0 m	FG43S	X	X	X	X
	F59 FT100i	78/47 kNm	10,0 m	FG43S	X	X	X	X
	F71 F72	99/75 kNm	7,2 m	FG43S	X	X	X	X
	F71 FT85	99/70 kNm	8,5 m	FG43S	X	X	X	X
	F71 FT100	99/66 kNm	10,0 m	FG43S	X	X	X	X
	F71 FT100i	99/66 kNm	10,0 m	FG43S	X	X	X	X
	F83 F72	106/82 kNm	7,2 m	FG43S	X	X	X	X
	F83 FT85	106/76 kNm	8,5 m	FG43S	X	X	X	X
	F83 FT100i	106/73 kNm	10,0 m	FG43S	X	X	X	X
	M 92 F80i	130/84 kNm	8,0 m	FG43S	#	#	#	X
	M 92 FT86i	130/84 kNm	8,6 m	FG43S	#	#	#	X
	M 92 FT100i	130/84 kNm	10,0 m	FG43S	#	#	#	X
	F111 F72	151/111 kNm	7,2 m	FG43S	#	#	#	#
	F111 F85	151/100 kNm	8,5 m	FG43S	#	#	#	#
	F111 FT85	151/100 kNm	8,5 m	FG43S	#	#	#	#
	F111 FT91	151/98 kNm	9,1 m	FG43S	#	#	#	#
	F111 FT100	151/101 kNm	10,0 m	FG43S	#	#	#	#
	M122 F85i	155/110 kNm	8,5 m	FG43S	#	#	#	#
	M122 F96i	155/ - kNm	9,6 m	FG43S	#	#	#	#
	M122 FT100i	155/ - kNm	10,0 m	FG43S	#	#	#	#
	M142 F85i	178/132 kNm	8,5 m	FG43S	#	#	#	#
	M142 F96i	178/124 kNm	9,6 m	FG43S	#	#	#	#
	M142 FT100i	178/ - kNm	10,0 m	FG43S	#	#	#	#

HSM Hohenloher Spezial-
Maschinenbau GmbH & Co. KG

Technik die Freude macht.

D-74635 Neu-Kupfer
Im Greut 10
Tel. + 49 (0) 7944 / 9191-0
Fax + 49 (0) 7944 / 9191-77
Mail: info@hsm-forest.com
www.hsm-forest.com

