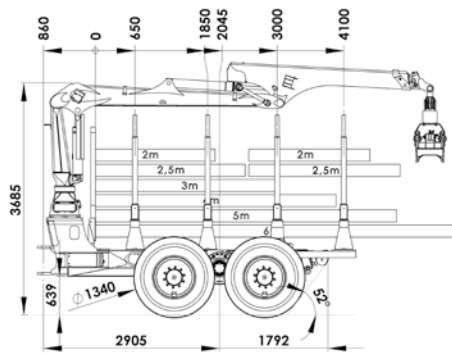
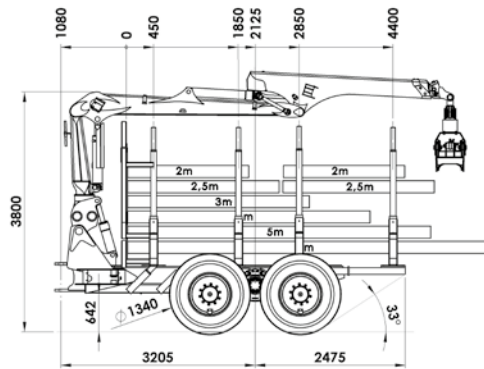


11 to rear frame short

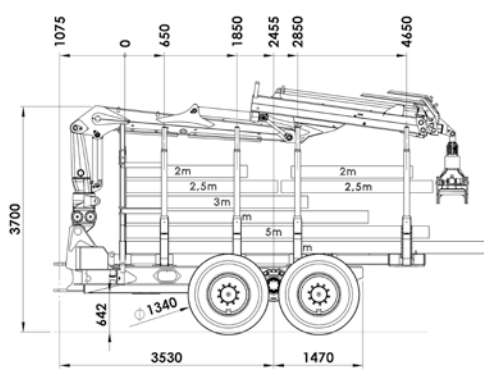
(300 mm short wheelbase)



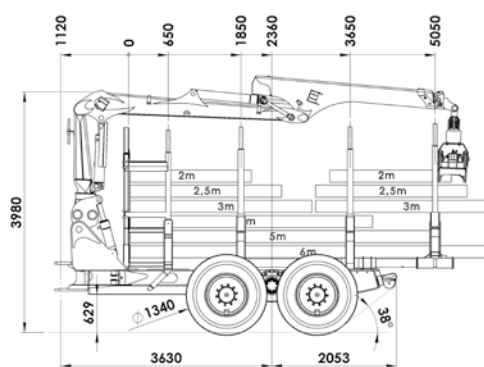
11 to rear frame with tilt-crane



12 to rear frame with tilt-crane



14 to rear frame with tilt-crane



Diagrammed:

- 4th rung pluggable
- single drum-rearwinch
- 3rd rung turnable

Diagrammed:

- crane tiltable with angle - 5° / + 26°
- grid displaceable and demountable
- quick-change plate
- 4th rung pluggable

Diagrammed:

- crane tiltable with angle - 5° / + 26°
- grid hydraulic moveable
- rungs relocatable
- turnable last rung

Diagrammed:

- crane tiltable with angle - 5° / + 26°
- grid displaceable and demountable
- single drum-rearwinch 10 to
- rungs relocatable
- 4th rung pluggable

Special equipment:

- grid, high adjustable
- rungs telescopic (width)
- clambunk with quick-change system
- moveable rungs
- single drum-rearwinch
- turnable rung
- grid pluggable
- 4th rung pluggable
- other options on request

HSM Crane-list

Crane typ	lift moment	reach	grapple Typ	208F		208F		208F		208F	
				11 to	12 to	14 to	20 to	Kombi	208F 14 to		
C60 F69	82/63 kNm	6,9 m	FG43S	#	#	#	#	#	#	#	#
C60 F86	82/51 kNm	8,6 m	FG43S	#	#	#	#	#	#	#	#
M70 F80	102/68 kNm	8,0 m	FG43S	O	O	O	O	O	O	#	#
M70 F86	102/68 kNm	8,6 m	FG43S	X	X	X	X	X	X	#	#
M70 F101	102/65 kNm	10,1 m	FG43S	X	X	X	X	X	X	#	#
M80 F80	114/79 kNm	8,0 m	FG43S	X	X	X	X	X	X	#	#
M80 F86	114/79 kNm	8,6 m	FG43S	X	X	X	X	X	X	#	#
M80 F101	114/75 kNm	10,1 m	FG43S	X	X	X	X	X	X	#	#
S100 F80	128/91 kNm	8,0 m	FG43S	X	X	X	X	X	X	O	O
S100 F86	128/90 kNm	8,6 m	FG43S	X	X	X	X	X	X	X	X
S100 F101	128/86 kNm	10,1 m	FG43S	X	X	X	X	X	X	X	X
S110 F80	143/104 kNm	8,0 m	FG43S	X	X	X	X	X	X	X	X
S110 F86	143/104 kNm	8,6 m	FG43S	X	X	X	X	X	X	X	X
S110 F101	143/100 kNm	10,1 m	FG43S	X	X	X	X	X	X	X	X
X120 F80	159/111 kNm	8,0 m	FG43S	#	X	X	X	X	X	#	#
X120 F86	159/110 kNm	8,6 m	FG43S	#	X	X	X	X	X	#	#
X120 F102	159/107 kNm	10,2 m	FG43S	#	X	X	X	X	X	#	#
X140 F80	173/123 kNm	8,0 m	FG43S	#	#	X	X	X	X	#	#
X140 F86	173/122 kNm	8,6 m	FG43S	#	#	X	X	X	X	#	#
X140 F102	173/119 kNm	10,2 m	FG43S	#	#	X	X	X	X	#	#
low crane column (height 1730 mm) series at steep slope and kombi				X	X	X	X	O	O	O	O
F59 F72	78/56 kNm	7,2 m	FG43S	#	#	#	#	#	#	#	#
F59 FT85	78/51 kNm	8,5 m	FG43S	#	#	#	#	#	#	#	#
F59 FT100	78/47 kNm	10,0 m	FG43S	#	#	#	#	#	#	#	#
F59 FT100i	78/47 kNm	10,0 m	FG43S	#	#	#	#	#	#	#	#
F71 F72	99/75 kNm	7,2 m	FG43S	X	X	X	X	X	X	#	#
F71 FT85	99/70 kNm	8,5 m	FG43S	X	X	X	X	X	X	#	#
F71 FT100	99/66 kNm	10,0 m	FG43S	X	X	X	X	X	X	#	#
F71 FT100i	99/66 kNm	10,0 m	FG43S	X	X	X	X	X	X	#	#
F83 F72	106/82 kNm	7,2 m	FG43S	X	X	X	X	X	X	#	#
F83 FT85	106/76 kNm	8,5 m	FG43S	X	X	X	X	X	X	#	#
F83 FT100i	106/73 kNm	10,0 m	FG43S	X	X	X	X	X	X	#	#
M 92 F80i	130/84 kNm	8,0 m	FG43S	X	X	X	X	X	X	X	X
M 92 FT86i	130/84 kNm	8,6 m	FG43S	X	X	X	X	X	X	X	X
M 92 FT100i	130/84 kNm	10,0 m	FG43S	X	X	X	X	X	X	X	X
F111 F72	151/111 kNm	7,2 m	FG43S	#	X	X	X	X	X	#	#
F111 F85	151/100 kNm	8,5 m	FG43S	#	X	X	X	X	X	#	#
F111 FT85	151/100 kNm	8,5 m	FG43S	#	X	X	X	X	X	#	#
F111 FT91	151/98 kNm	9,1 m	FG43S	#	X	X	X	X	X	#	#
F111 FT100	151/101 kNm	10,0 m	FG43S	#	X	X	X	X	X	#	#
M122 F85i	155/110 kNm	8,5 m	FG43S	#	X	X	X	X	X	#	#
M122 F96i	155/ - kNm	9,6 m	FG43S	#	X	X	X	X	X	#	#
M122 FT100i	155/ - kNm	10,0 m	FG43S	#	X	X	X	X	X	#	#
M142 F85i	178/132 kNm	8,5 m	FG43S	#	X	X	X	X	X	#	#
M142 F96i	178/124 kNm	9,6 m	FG43S	#	X	X	X	X	X	#	#
M142 FT100i	178/ - kNm	10,0 m	FG43S	#	X	X	X	X	X	#	#

HSM Hohenloher Spezial-Maschinenbau GmbH & Co. KG

Technik die Freude macht.

D-74635 Neu-Kupfer
Im Greut 10
Tel. + 49 (0) 7944 / 9191-0
Fax + 49 (0) 7944 / 9191-77
Mail: info@hsm-forest.com
www.hsm-forest.com



HSM 208F

Technical subject to change. June 2018 HSM208F_en_photon-sh-0618



Technik die Freude macht.

Technical data 208F

Brake:

- brake with 2-circles, oil-cooled multiple-disc power-brake
- spring accumulator - parking brake

Steering:

- articulated frame steering with 2 cylinders
- steering angle 45°

Cabin:

- raisable to side on parallel linkages
- ROPS, FOPS, OPS tested
- rotary seat with pedals in front and rear
- wiper in front and rear, optional on the side
- air cushioned seat with seat heating
- hot-water heating
- air conditioning

Electrical system / Instruments:

- HSM Ecomand colour-display
- 5 operator programs + factory setting
- diagnosis-tool and error-indication
- graphic support at parameter editing
- generator 110 A (28 V)
- 2 service-free dry batteries á 75 Ah

Power train:

- NAF 2 speed transfer gearbox
- HSM High Speed Drive (serial 71); speed at 1st gear 0-14 km/h

Standard equipment:

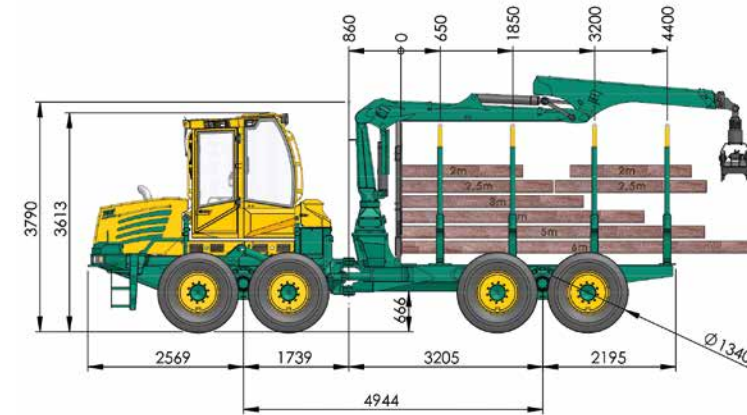
- 14 LED-working headlight at cabin
- 4 working headlights at crane
- potential transformer 24 V - 12 V
- radio with CD
- fire extinguisher
- first aid kit
- warning triangle
- tool kit
- cooling box
- reversing camera with color monitor
- rear headlights
- twist lock with 2 hydraulic cylinders

Special equipment:

- front dozer-blade
- tandem axle lift (Bogielift) front
- turnable rung
- last rung plugged
- tiltable crane
- quick-change system for rungs
- clamfunk
- auxiliary heating
- bogie-tracks
- radio control for winch
- drive by radio
- sun blinds
- pluggable front grid
- cab suspension
- other options on request

208F 10 to

4 cylinder



Weight:

- from 16200 kg
- weight distribution: front axle: 60 %, rear axle: 40 %

Tires:

	width:	overall width:	width for tracks:
• serial:	710/45-26,5	2600 mm	2700 mm
• optional:	600/55-26,5	2400 mm	2500 mm
	800/40-26,5	2700 mm	2800 mm
	870/40-26,5	2900 mm	3000 mm
	54x37-25	2900 mm	3000 mm

Axles:

- NAF portal-bogie-axes
- front: switchable differential lock 100 %
- rear: switchable differential lock 100 %

Crane:

- serial: - Epsilon M70 F80

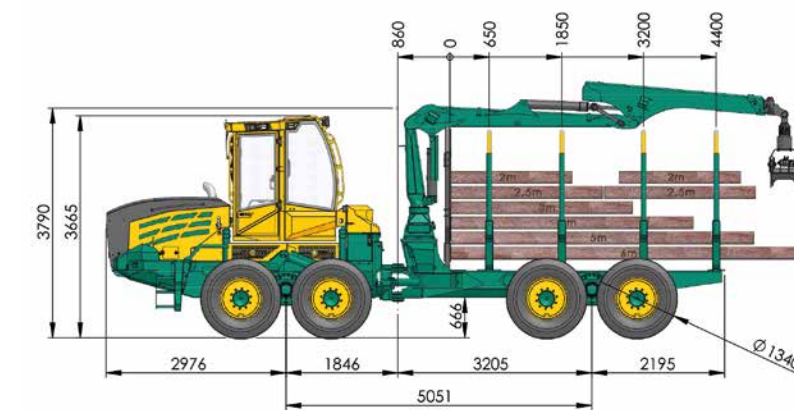
- other cranes behold crane-list

Loading area:

- 4 rungs
- length: 4400 mm
- cross section: 4,0 m² / option 4,3 m²
- load capacity: 10 to

208F 11 to

6 cylinder



Weight:

- from 16500 kg
- weight distribution: front axle: 60 %, rear axle: 40 %

Tires:

	width:	overall width:	width for tracks:
• serial:	710/45-26,5	2600 mm	2700 mm
• optional:	600/55-26,5	2400 mm	2500 mm
	800/40-26,5	2700 mm	2800 mm
	870/40-26,5	2900 mm	3000 mm
	54x37-25	2900 mm	3000 mm

Axles:

- NAF portal-bogie-axes
- front: switchable differential lock 100 %
- rear: switchable differential lock 100 %

Crane:

- serial: - Epsilon M70 F80

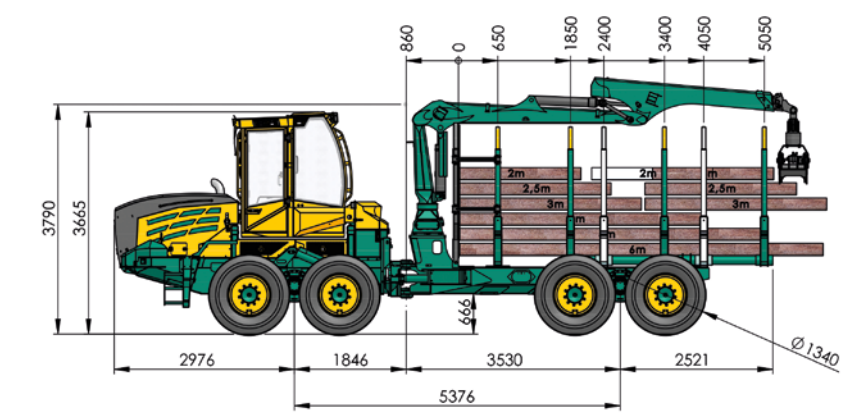
- other cranes behold crane-list

Loading area:

- 4 rungs
- length: 4400 mm
- cross section: 4,0 m² / option 4,3 m²
- load capacity: 11 to

208F 12 to

6 cylinder



Weight:

- from 16900 kg
- weight distribution: front axle: 60 %
rear axle: 40 %

Tires:

	width:	overall width:	width for tracks:
• serial:	710/45-26,5	2600 mm	2700 mm
• optional:	600/55-26,5	2400 mm	2500 mm
	800/40-26,5	2700 mm	2800 mm
	870/40-26,5	2900 mm	3000 mm
	54x37-25	2900 mm	3000 mm

Axles:

- NAF portal-bogie-axes
- front: switchable differential lock 100 %
- rear: switchable differential lock 100 %

Crane:

- serial: - Epsilon M70 F80

- other cranes behold crane-list

Loading area:

- 4 rungs, last rung extensible
- length: 3700 mm - 4650 mm / option 5050 (2x3 m)
- cross section: 4,0 m² / option 4,3 m²
- load capacity: 12 to

208F 4 Cylinder

Engine (10 t):

- VOLVO
- TAD572VE EU Stage IV / EPA T4f
- Power: 160 kW (218 HP) at 1700 rpm
- max. revolution: 900 Nm at 1200 - 1700 rpm
- max. torque: 910 Nm at 1450 rpm
- Displacement: 5,13 liter

Hydraulic system:

- load sensing
- Variable pump (working pump):
 - flow rate: 232 l/min at 1600 rpm
 - pressure: up to max. 350 bar
- hydraulic oil: saturated, synthetic ester Panolin HLP SYNTH with Kleenoil microfiltration; WGK 1

Tank capacity:

- diesel: 170 l
- AdBlue: 25 l
- hydraulic oil: 130 l

208F 6 Cylinder

Engine:

- VOLVO
- TAD871VE EU Stage IV / EPA T4f
- Power: 185 kW (252 HP) at 1600 rpm
- max. revolution: 1150 Nm at 1100 - 1500 rpm
- max. torque: 1160 Nm at 1200 rpm
- Displacement: 7,7 liter

- Optional:
- VOLVO
- TAD872VE EU Stage IV / EPA T4f
- Power: 210 kW (286 HP) at 1700 rpm
- max. revolution: 1225 Nm at 1100 - 1600 rpm
- max. torque: 1235 Nm at 1350 rpm
- Displacement: 7,7 liter

Hydraulic system:

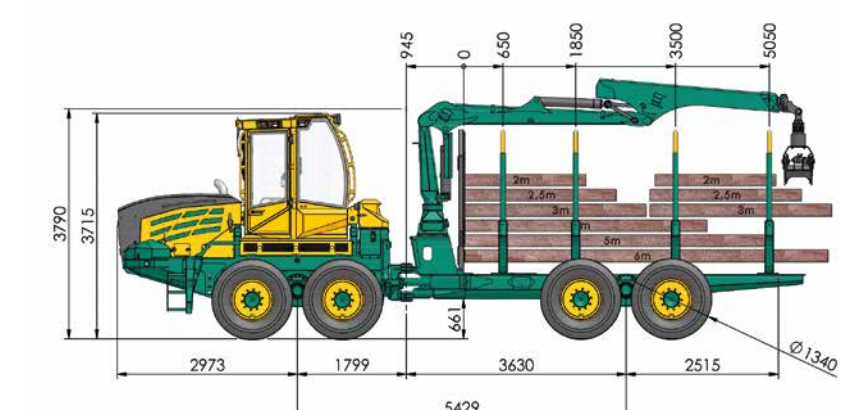
- load sensing
- Variable pump (working pump):
 - Fördermenge: 304 l/min at 1600 rpm
 - Druck: up to max. 350 bar
- hydraulic oil: saturated, synthetic ester Panolin HLP SYNTH with Kleenoil microfiltration; WGK 1

Tank capacity:

- diesel: 11 t / 12 t 14 t
- diesel: 190 l 225 l
- AdBlue: 45 l 45 l
- hydraulic oil: 130 l 130 l

208F 14 to

6 cylinder



Weight:

- from 18000 kg
- weight distribution: front axle: 60 %
rear axle: 40 %

Tires:

	width:	overall width:	width for tracks:
• serial:	710/45-26,5	2860 mm	2960 mm
• optional:	600/55-26,5	2660 mm	2760 mm
	800/40-26,5	3000 mm	3000 mm

Axles:

- balanced NAF portal-bogie-axes
- front: switchable differential lock 100 %
- rear: switchable differential lock 100 %

Crane:

- serial: - Epsilon M70 F80

- other cranes behold crane-list

Loading area:

- 4 rungs
- length: 5050 mm
- cross section: 4,4 m²
- load capacity: 14 to