



# HSM 208F



9 to Kombi Model



Technik die Freude macht.

# Technical data 208F 9 to Kombi

## Engine:

- IVECO
- NEF 4 cyl. Common Rail Turbo / TIER 3B
- power: 125 kW (170 HP)
- max. revolution: 2200 rpm
- max. torque: 700 Nm at 1500 rpm
- displacement: 4,5 liter

## Hydraulic system:

- load sensing
- variable pump (working pump):
  - flow rate: 232 l/min at 1600 rpm
  - pressure: up to max. 350 bar
- hydraulic oil: saturated, synthetic ester Panolin HLP SYNTH with Kleenoil microfiltration; WGK 1

## Tank capacity:

- diesel: 150 l
- AdBlue: 25 l
- hydraulic oil: 130 l

## Brake:

- brake with 2-circles, oil-cooled multiple-disc power-brake
- spring accumulator - parking brake

## Steering:

- articulated frame steering with 2 cylinders
- steering angle 45°

## Power train:

- NAF 2 speed transfer gearbox
- HSM High Speed Drive (serial 71); speed at 1st gear 0-14 km/h

## Cabin:

- raisable to side on parallel linkages
- ROPS, FOPS, OPS tested
- rotary seat with pedals in front and rear
- wiper in front and rear, optional on the side
- air cushioned seat with seat heating
- hot-water heating
- air conditioning

## Electrical system / Instruments:

- HSM Ecomand colour-display
- 5 operator programs + factory setting
- diagnosis-tool and error-indication
- graphic support at parameter editing
- generator 24 V, 90 A
- 2 service-free dry batteries á 55 Ah
- optional: 4 service-free dry batteries á 55 Ah
- Option: Remote service

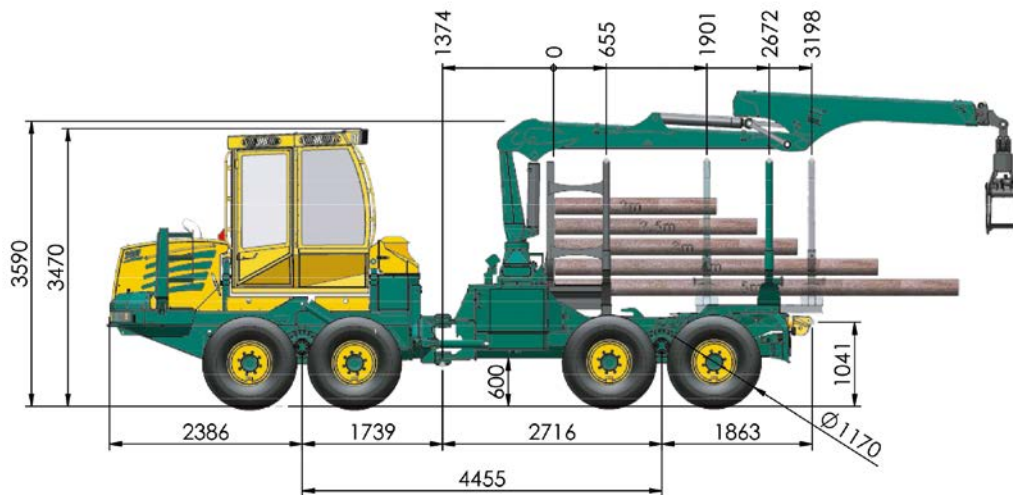
## Standard equipment:

- 14 LED-working headlight at cabin
- 4 working headlights at crane
- potential transformer 24 V - 12 V
- radio with CD
- fire extinguisher
- first aid kit
- warning triangle
- tool kit
- cooling box
- reversing camera with color monitor
- rear headlights
- twist lock with 2 hydraulic cylinders

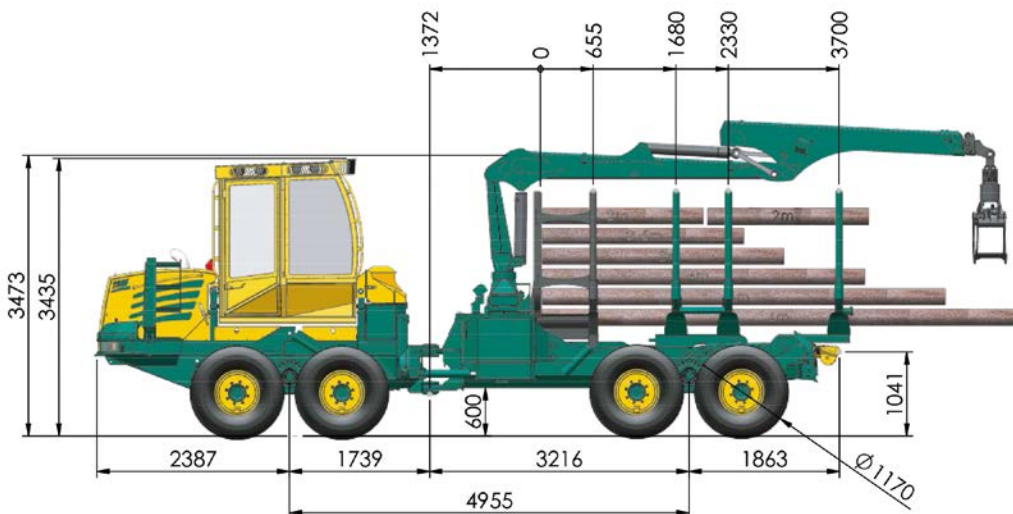
## Special equipment:

- front dozer-blade
- tandem axle lift (Bogielift) front
- turnable rung
- last rung plugged
- tiltable crane
- quick-change system for rungs
- clambunk
- auxiliary heating
- bogie-tracks
- radio control for winch
- drive by radio
- sun blinds
- pluggable front grid
- other options on request

## 208F 9 to Kombi short



## 208F 9 to Kombi long



### Weight "short" / "long":

- 15300 kg / 15500 kg

### Load capacity:

- 9to

### Winches:

- serial: - Adler double-drum-winch HY 16 (2x80 kN)  
max. rope capacity 100 m at 14 mm
- optional: - Adler double-drum-winch HY 20 (2x100 kN)  
max. rope capacity 100 m at 14 mm

### Crane:

- serial: - Epsilon M70 F80
- other cranes behold crane-list

### Tires:

- serial: - 710/40x22,5 min. width: 2550 mm

by using tracks the min. width will change (+100 mm).  
other tires on request

### Standard equipment:

- grid and first rung demountable
- last rung demountable and displaceable to loading length  
(short) 1,9 m, 2,7 m and 3,2 m  
(long) 2,4 m, 3,1 m and 3,7 m
- roller-block, high adjustable
- cross section 3,25 m<sup>2</sup>

### Special equipment:

- front dozer blade
- rear blade
- clambunk with quick-change system
- twin-rung as 2nd and 3rd rung on quick-change system  
(only Kombi long)
- turnable rung
- Bogielift front
- other options on request

# The variable rear

# HSM Crane-list



Last stanchion variable in "short" position



Last stanchion variable in "centre" position



Last stanchion variable in "long" position



Quick-change twin stanchion for 2 x 2 or 2 x 2.5 m wood (not for 805F short version)



Height-adjustable pulleys Up to 2 m



Rope forwarding possible Without reconfiguring the stanchion



Log forwarding with quick-change clamping workbench



Rope forwarding possible without reconfiguring the clamping workbench

		X = available against surcharge	O = standard equipment	# = not available	208F Kombi		
	Crane typ	lift moment	reach	grapple Typ	9 to	11 to	14 to
<b>EPSILON</b>	C60 F69	82/63 kNm	6,9 m	FG43S	X	#	#
	C60 F86	82/51 kNm	8,6 m	FG43S	X	#	#
	M70 F80	102/68 kNm	8,0 m	FG43S	O	O	O
	M70 F86	102/68 kNm	8,6 m	FG43S	X	X	X
	M70 F101	102/65 kNm	10,1 m	FG43S	X	X	X
	M80 F80	114/79 kNm	8,0 m	FG43S	X	X	X
	M80 F86	114/79 kNm	8,6 m	FG43S	X	X	X
	M80 F101	114/75 kNm	10,1 m	FG43S	X	X	X
	S100 F80	128/91 kNm	8,0 m	FG43S	X	X	X
	S100 F86	128/90 kNm	8,6 m	FG43S	X	X	X
	S100 F101	128/86 kNm	10,1 m	FG43S	#	X	X
	S110 F80	143/104 kNm	8,0 m	FG43S	#	X	X
	S110 F86	143/104 kNm	8,6 m	FG43S	#	X	X
	S110 F101	143/100 kNm	10,1 m	FG43S	#	X	X
	X120 F80	159/111 kNm	8,0 m	FG43S	#	X	X
	X120 F86	159/110 kNm	8,6 m	FG43S	#	X	X
	X120 F102	159/107 kNm	10,2 m	FG43S	#	X	X
	X140 F80	173/123 kNm	8,0 m	FG43S	#	X	X
X140 F86	173/122 kNm	8,6 m	FG43S	#	X	X	
X140 F102	173/119 kNm	10,2 m	FG43S	#	X	X	
low crane column (height 1730 mm) series at steep slope and kombi					X	O	O
<b>Mesera</b>	F59 F72	78/56 kNm	7,2 m	FG43S	X	#	#
	F59 FT85	78/51 kNm	8,5 m	FG43S	X	#	#
	F59 FT100	78/47 kNm	10,0 m	FG43S	X	#	#
	F59 FT100i	78/47 kNm	10,0 m	FG43S	X	#	#
	F71 F72	99/75 kNm	7,2 m	FG43S	X	X	X
	F71 FT85	99/70 kNm	8,5 m	FG43S	X	X	X
	F71 FT100	99/66 kNm	10,0 m	FG43S	X	X	X
	F71 FT100i	99/66 kNm	10,0 m	FG43S	X	X	X
	F83 F72	106/82 kNm	7,2 m	FG43S	X	X	X
	F83 FT85	106/76 kNm	8,5 m	FG43S	X	X	X
	F83 FT100i	106/73 kNm	10,0 m	FG43S	X	X	X
	M 92 F80i	130/84 kNm	8,0 m	FG43S	X	X	X
	M 92 FT86i	130/84 kNm	8,6 m	FG43S	X	X	X
	M 92 FT100i	130/84 kNm	10,0 m	FG43S	#	X	X
	F111 F72	151/111 kNm	7,2 m	FG43S	#	X	X
	F111 F85	151/100 kNm	8,5 m	FG43S	#	X	X
	F111 FT85	151/100 kNm	8,5 m	FG43S	#	X	X
	F111 FT91	151/98 kNm	9,1 m	FG43S	#	X	X
	F111 FT100	151/101 kNm	10,0 m	FG43S	#	X	X
	M122 F85i	155/110 kNm	8,5 m	FG43S	#	X	X
	M122 F96i	155/- kNm	9,6 m	FG43S	#	X	X
	M122 FT100i	155/- kNm	10,0 m	FG43S	#	X	X
M142 F85i	178/132 kNm	8,5 m	FG43S	#	X	X	
M142 F96i	178/124 kNm	9,6 m	FG43S	#	X	X	
M142 FT100i	178/- kNm	10,0 m	FG43S	#	X	X	

HSM Hohenloher Spezial-Maschinenbau GmbH & Co. KG

Technik die Freude macht.

D-74635 Neu-Kupfer  
Im Greut 10  
Tel. + 49 (0) 7944 / 9191-0  
Fax + 49 (0) 7944 / 9191-77  
Mail: [info@hsm-forest.com](mailto:info@hsm-forest.com)  
[www.hsm-forest.com](http://www.hsm-forest.com)

