



HSM 208F



Technik die Freude macht.

Technical data 208F

Brake:

- brake with 2-circles, oil-cooled multiple-disc power-brake
- spring accumulator - parking brake

Steering:

- articulated frame steering with 2 cylinders
- steering angle 45°

Cabin:

- raisable to side on parallel linkages
- ROPS, FOPS, OPS tested
- rotary seat with pedals in front and rear
- wiper in front and rear, optional on the side
- air cushioned seat with seat heating
- hot-water heating
- air conditioning

Electrical system / Instruments:

- HSM Ecommand colour-display
- 5 operator programs + factory setting
- diagnosis-tool and error-indication
- graphic support at parameter editing
- generator 110 A (28 V)
- 2 service-free dry batteries á 75 Ah

Power train:

- NAF 2 speed transfer gearbox
- HSM High Speed Drive (serial 71); speed at 1st gear 0-14 km/h

208F 4 Cylinder

Engine (10 t):

- VOLVO
TAD572VE EU Stage IV / EPA T4f
Power: 160 kW (218 HP) at 1700 rpm
max. revolution: 900 Nm at 1200 - 1700 rpm
max. torque: 910 Nm at 1450 rpm
Displacement: 5,13 liter

Hydraulic system:

- load sensing
- Variable pump (working pump):
flow rate: 232 l/min at 1600 rpm
pressure: up to max. 350 bar
- hydraulic oil: saturated, synthetic ester Panolin HLP SYNTH with Kleenoil microfiltration; WGK 1

Tank capacity:

- diesel: 170 l
- AdBlue: 25 l
- hydraulic oil: 130 l

Standard equipment:

- 14 LED-working headlight at cabin
- 4 working headlights at crane
- potential transformer 24 V - 12 V
- radio with CD
- fire extinguisher
- first aid kit
- warning triangle
- tool kit
- cooling box
- reversing camera with color monitor
- rear headlights
- twist lock with 2 hydraulic cylinders

Special equipment:

- front dozer-blade
- tandem axle lift (Bogielift) front
- turnable rung
- last rung plugged
- tiltable crane
- quick-change system for rungs
- clambunk
- auxiliary heating
- bogie-tracks
- radio control for winch
- drive by radio
- sun blinds
- pluggable front grid
- cab suspension
- other options on request

208F 6 Cylinder

Engine:

- VOLVO
TAD871VE EU Stage IV / EPA T4f
Power: 185 kW (252 HP) at 1600 rpm
max. revolution: 1150 Nm at 1100 - 1500 rpm
max. torque: 1160 Nm at 1200 rpm
Displacement: 7,7 liter
- Optional:
- VOLVO
TAD872VE EU Stage IV / EPA T4f
Power: 210 kW (286 HP) at 1700 rpm
max. revolution: 1225 Nm at 1100 - 1600 rpm
max. torque: 1235 Nm at 1350 rpm
Displacement: 7,7 liter

Hydraulic system:

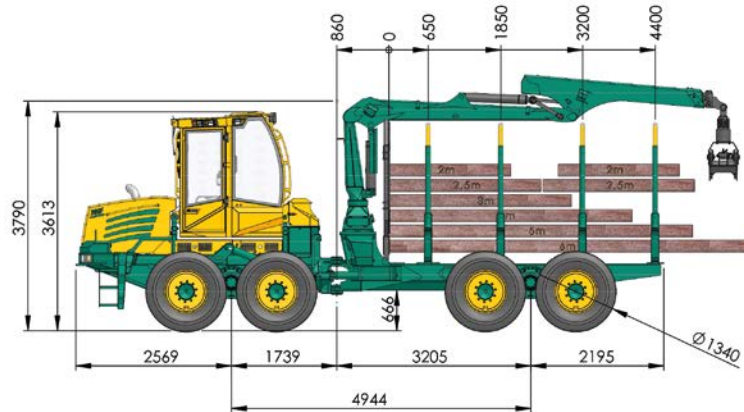
- load sensing
- Variable pump (working pump):
Fördermenge: 304 l/min at 1600 rpm
Druck: up to max. 350 bar
- hydraulic oil: saturated, synthetic ester Panolin HLP SYNTH with Kleenoil microfiltration; WGK 1

Tank capacity:

- diesel: 11 t / 12 t 14 t
- AdBlue: 190 l 225 l
- hydraulic oil: 45 l 130 l

208F 10 to

4 cylinder



Weight:

- from 16200 kg
- weight distribution: front axle: 60 %, rear axle: 40 %

Tires:

	width:	overall width:	width for tracks:
• serial:	710/45-26,5	2600 mm	2700 mm
• optional:	600/55-26,5	2400 mm	2500 mm
	800/40-26,5	2700 mm	2800 mm
	870/40-26,5	2900 mm	3000 mm
	54x37-25	2900 mm	3000 mm

Axles:

- NAF portal-bogie-axes
- front: switchable differential lock 100 %
- rear: switchable differential lock 100 %

Crane:

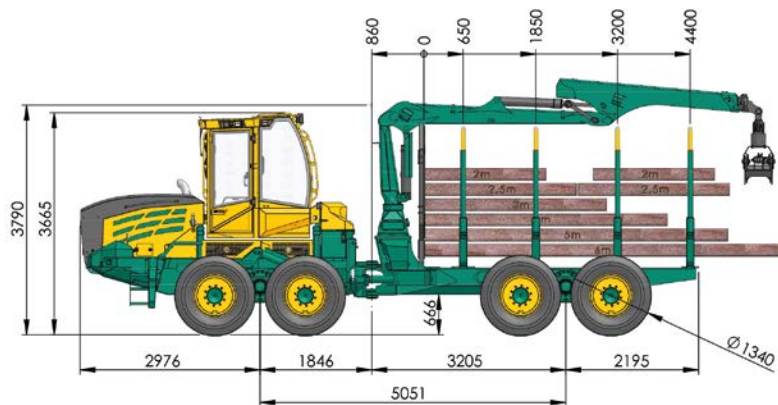
- serial: - Epsilon M70 F80
- other cranes behold crane-list

Loading area:

- 4 rungs
- length: 4400 mm
- cross section: 4,0 m² / option 4,3 m²
- load capacity: 10 to

208F 11 to

6 cylinder



Weight:

- from 16500 kg
- weight distribution: front axle: 60 %, rear axle: 40 %

Tires:

	width:	overall width:	width for tracks:
• serial:	710/45-26,5	2600 mm	2700 mm
• optional:	600/55-26,5	2400 mm	2500 mm
	800/40-26,5	2700 mm	2800 mm
	870/40-26,5	2900 mm	3000 mm
	54x37-25	2900 mm	3000 mm

Axles:

- NAF portal-bogie-axes
- front: switchable differential lock 100 %
- rear: switchable differential lock 100 %

Crane:

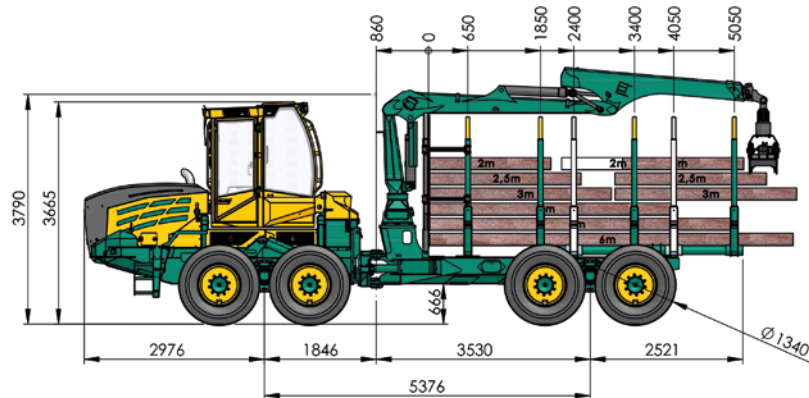
- serial: - Epsilon M70 F80
- other cranes behold crane-list

Loading area:

- 4 rungs
- length: 4400 mm
- cross section: 4,0 m² / option 4,3 m²
- load capacity: 11 to

208F 12 to

6 cylinder



Weight:

- from 16900 kg
- weight distribution: front axle: 60 %
rear axle: 40 %

Tires:

	widht:	overall widht:	width for tracks:
• serial:	710/45-26,5	2600 mm	2700 mm
• optional:	600/55-26,5	2400 mm	2500 mm
	800/40-26,5	2700 mm	2800 mm
	870/40-26,5	2900 mm	3000 mm
	54x37-25	2900 mm	3000 mm

Axles:

- NAF portal-bogie-axles
- front: switchable differential lock 100 %
- rear: switchable differential lock 100 %

Crane:

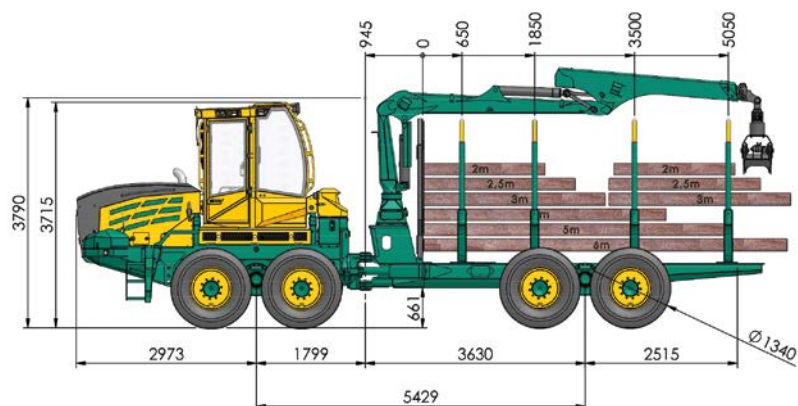
- serial: - Epsilon M70 F80
- other cranes behold crane-list

Loading area:

- 4 rungs, last rung extensible
- length: 3700 mm - 4650 mm / option 5050 (2x3 m)
- cross section: 4,0 m² / option 4,3 m²
- load capacity: 12 to

208F 14 to

6 cylinder



Weight:

- from 18000 kg
- weight distribution: front axle: 60 %
rear axle: 40 %

Tires:

	widht:	overall widht:	width for tracks:
• serial:	710/45-26,5	2860 mm	2960 mm
• optional:	600/55-26,5	2660 mm	2760 mm
	800/40-26,5	3000 mm	3000 mm

Axles:

- balanced NAF portal-bogie-axles
- front: switchable differential lock 100 %
- rear: switchable differential lock 100 %

Crane:

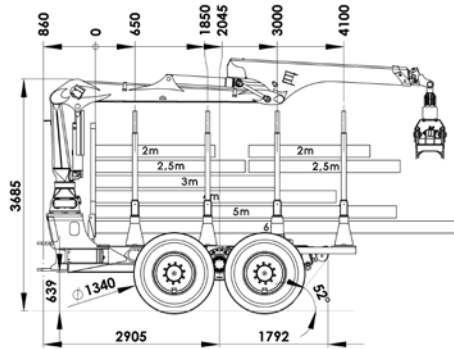
- serial: - Epsilon M70 F80
- other cranes behold crane-list

Loading area:

- 4 rungs
- length: 5050 mm
- cross section: 4,4 m²
- load capacity: 14 to

11 to rear frame short

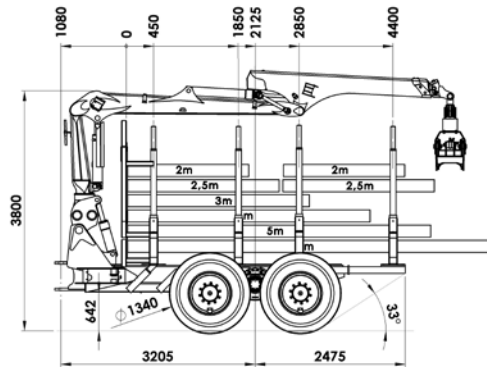
(300 mm short wheelbase)



Diagrammed:

- 4th rung pluggable
- single drum-rearwinch
- 3rd rung turnable

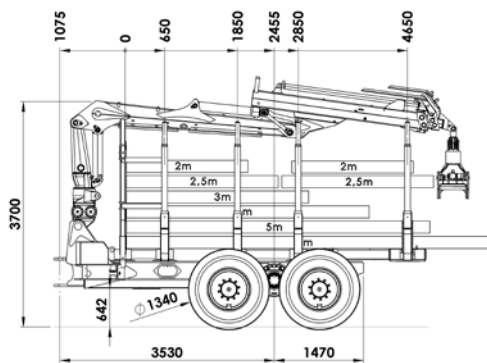
11 to rear frame with tilt-crane



Diagrammed:

- crane tiltable with angle - 5° / + 26°
- grid displaceable and demountable
- quick-change plate
- 4th rung pluggable

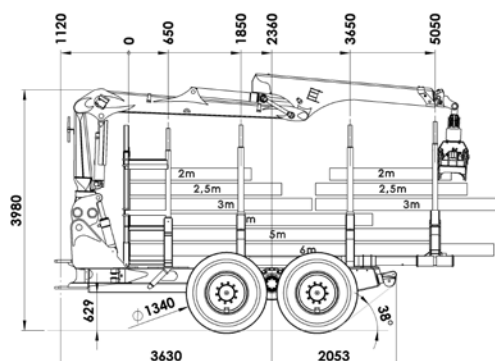
12 to rear frame with tilt-crane



Diagrammed:

- crane tiltable with angle - 5° / + 26°
- grid hydraulic moveable
- rungs relocatable
- turnable last rung

14 to rear frame with tilt-crane



Diagrammed:

- crane tiltable with angle - 5° / + 26°
- grid displaceable and demountable
- single drum-rearwinch 10 to
- rungs relocatable
- 4th rung pluggable

Special equipment:

- grid, high adjustable
- rungs telescopic (width)
- clambunk with quick-change system
- moveable rungs
- single drum-rearwinch
- turnable rung
- grid pluggable
- 4th rung pluggable
- other options on request

HSM Crane-list

X = available against surcharge O = standard equipment # = not available										
	Crane typ	lift moment	reach	grapple Typ	208F	208F	208F	208F	208F	208F 14 to
					11 to	12 to	14 to	20 to	Kombi	Steilhang
EPSILON	C60 F69	82/63 kNm	6,9 m	FG43S	#	#	#	#	#	#
	C60 F86	82/51 kNm	8,6 m	FG43S	#	#	#	#	#	#
	M70 F80	102/68 kNm	8,0 m	FG43S	O	O	O	O	O	#
	M70 F86	102/68 kNm	8,6 m	FG43S	X	X	X	X	X	#
	M70 F101	102/65 kNm	10,1 m	FG43S	X	X	X	X	X	#
	M80 F80	114/79 kNm	8,0 m	FG43S	X	X	X	X	X	#
	M80 F86	114/79 kNm	8,6 m	FG43S	X	X	X	X	X	#
	M80 F101	114/75 kNm	10,1 m	FG43S	X	X	X	X	X	#
	S100 F80	128/91 kNm	8,0 m	FG43S	X	X	X	X	X	O
	S100 F86	128/90 kNm	8,6 m	FG43S	X	X	X	X	X	X
	S100 F101	128/86 kNm	10,1 m	FG43S	X	X	X	X	X	X
	S110 F80	143/104 kNm	8,0 m	FG43S	X	X	X	X	X	X
	S110 F86	143/104 kNm	8,6 m	FG43S	X	X	X	X	X	X
	S110 F101	143/100 kNm	10,1 m	FG43S	X	X	X	X	X	X
	X120 F80	159/111 kNm	8,0 m	FG43S	#	X	X	X	X	#
	X120 F86	159/110 kNm	8,6 m	FG43S	#	X	X	X	X	#
	X120 F102	159/107 kNm	10,2 m	FG43S	#	X	X	X	X	#
	X140 F80	173/123 kNm	8,0 m	FG43S	#	#	X	X	X	#
	X140 F86	173/122 kNm	8,6 m	FG43S	#	#	X	X	X	#
	X140 F102	173/119 kNm	10,2 m	FG43S	#	#	X	X	X	#
low crane column (height 1730 mm) series at steep slope and kombi					X	X	X	X	O	O
Mesera	F59 F72	78/56 kNm	7,2 m	FG43S	#	#	#	#	#	#
	F59 FT85	78/51 kNm	8,5 m	FG43S	#	#	#	#	#	#
	F59 FT100	78/47 kNm	10,0 m	FG43S	#	#	#	#	#	#
	F59 FT100i	78/47 kNm	10,0 m	FG43S	#	#	#	#	#	#
	F71 F72	99/75 kNm	7,2 m	FG43S	X	X	X	X	X	#
	F71 FT85	99/70 kNm	8,5 m	FG43S	X	X	X	X	X	#
	F71 FT100	99/66 kNm	10,0 m	FG43S	X	X	X	X	X	#
	F71 FT100i	99/66 kNm	10,0 m	FG43S	X	X	X	X	X	#
	F83 F72	106/82 kNm	7,2 m	FG43S	X	X	X	X	X	#
	F83 FT85	106/76 kNm	8,5 m	FG43S	X	X	X	X	X	#
	F83 FT100i	106/73 kNm	10,0 m	FG43S	X	X	X	X	X	#
	M 92 F80i	130/84 kNm	8,0 m	FG43S	X	X	X	X	X	X
	M 92 FT86i	130/84 kNm	8,6 m	FG43S	X	X	X	X	X	X
	M 92 FT100i	130/84 kNm	10,0 m	FG43S	X	X	X	X	X	X
	F111 F72	151/111 kNm	7,2 m	FG43S	#	X	X	X	X	#
	F111 F85	151/100 kNm	8,5 m	FG43S	#	X	X	X	X	#
	F111 FT85	151/100 kNm	8,5 m	FG43S	#	X	X	X	X	#
	F111 FT91	151/98 kNm	9,1 m	FG43S	#	X	X	X	X	#
	F111 FT100	151/101 kNm	10,0 m	FG43S	#	X	X	X	X	#
	M122 F85i	155/110 kNm	8,5 m	FG43S	#	X	X	X	X	#
	M122 F96i	155/ - kNm	9,6 m	FG43S	#	X	X	X	X	#
	M122 FT100i	155/ - kNm	10,0 m	FG43S	#	X	X	X	X	#
	M142 F85i	178/132 kNm	8,5 m	FG43S	#	X	X	X	X	#
	M142 F96i	178/124 kNm	9,6 m	FG43S	#	X	X	X	X	#
	M142 FT100i	178/ - kNm	10,0 m	FG43S	#	X	X	X	X	#

HSM Hohenloher Spezial-
Maschinenbau GmbH & Co. KG

Technik die Freude macht.

D-74635 Neu-Kupfer
Im Greut 10
Tel. + 49 (0) 7944 / 9191-0
Fax + 49 (0) 7944 / 9191-77
Mail: info@hsm-forest.com
www.hsm-forest.com

