



HSM 904



model series



Technik die Freude macht.

Technical data

Engine (6 cylinders):

- VOLVO
TAD871VE EU Stage IV / EPA T4f
Power: 185 kW (252 HP) at 1600 rpm
max. revolution: 1150 Nm at 1100 - 1500 rpm
max. torque: 1160 Nm at 1200 rpm
Displacement: 7,7 liter

Optional:

- VOLVO
TAD872VE EU Stage IV / EPA T4f
Power: 210 kW (286 HP) at 1700 rpm
max. revolution: 1225 Nm at 1100 - 1600 rpm
max. torque: 1235 Nm at 1350 rpm
Displacement: 7,7 liter

Transmission:

- 904H: HSM High Speed Drive (71 series)
speed at 1st gear 0-14 km/h
- 904ZF: ZF 6WG-190 load switching converter transmission
6 forward gears, 3 reverse gears

Axles:

- Planetary axles
- 100% separately selectable differential locks, front and rear

Brake:

- 2-circuit brake, disk brake running in an oil bath
- Spring-loaded parking brake

Steering:

- Articulated steering with 2 cylinders, 45° steering angle

Tank capacity:

- Diesel: 904H: 210 l 904ZF: 225 l
- AdBlue: 45 l 45 l
- Hydraulic fluid: 110 l 150 l

Hydraulics:

- Load sensing
- Variable pump (working pump) 904H:
flow rate: 304 l/min at 1600 rpm
pressure: up to max. 350 bar
- Variable pump (working pump) 904ZF:
flow rate: 224 l/min at 1600 rpm
pressure: up to max. 350 bar
- Hydraulic fluid: Saturated, synthetic ester
Panolin HLP SYNTH with Kleenoil
Microfiltration; WGK 1

Cabin:

- HSM Panorama comfort cab
- ROPS, FOPS, OPS tested safety cab
- Swivel seat device, air-suspended comfort seat
- heating/air-conditioning

Electrical system / Instruments:

- HSM Ecomand colour-display
- 5 operator programs + factory setting
- diagnosis-tool and error-indication
- graphic support at parameter editing
- generator 110 A (28 V)
- 2 service-free dry batteries á 55 Ah

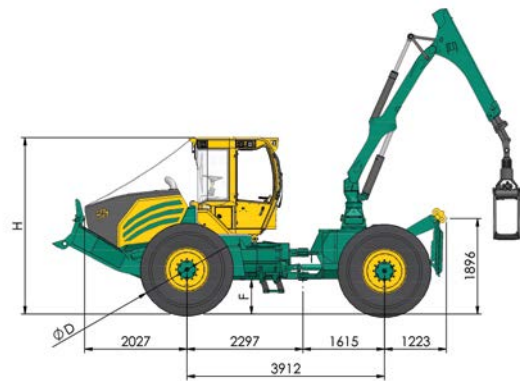
Standard equipment:

- 12 LED work lamps
- 24 V - 12 V voltage transformer, radio with CD player, fire extinguisher, first-aid kit, warning triangle, tool set
- Torsion lock with 2 hydraulic cylinders

Special accessories:

- Tilttable front polder shield, front loader (Hauer), trailer hitch, outer hydraulic connection, remote control for cable winch, wireless driving, auxiliary heating, sun blinds, seat damping pad
- Additional accessories on request

904



Winches:

- Standard: Adler HY 20 (2 x 100 kN) double-drum winch
Max. cable take-up of 14 mm, 100 m
- Optional: Adler HY 24-SG (2 x 120 kN) double-drum winch
Max. cable take-up of 14 mm, 130 m
Adler HY 32-SG (2 x 160 kN) double-drum winch
Max. cable take-up of 16 mm, 100 m
Adler HY 32-LO double-drum winch

Weight:

- from 13200 kg

Forwarder:

- Standard: Epsilon M80 R59
(Max. range 5.9 m, 95 kNm gross lifting moment)
- Cranes up to a lifting moment of 170 kNm and range of up to 10.4 m available (see separate crane list)

Tyres:

		Serial 24,5-32	30,5-32
904H	D	1831	1857
	B*	2430	2730
	H	3500	3507
	F	672	679
904ZF	H	3550	3557
	F	545	552

* B: minimum machine width
(dimensions in mm)

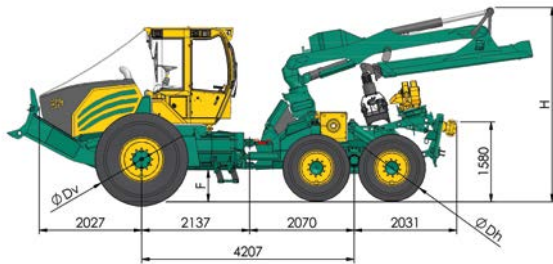
Standard equipment:

- Fixed front polder shield, 2000 mm wide
- Straight shield as sprag brake

Special equipment:

- Hydraulically height-adjustable roller block
- Clamping workbench on height-adjustable roller block
- Straight shield with sprag brake
- "Skidder France" version pulley
- Engine bonnet protection and brush guard made from tubing
- Additional accessories on request

904 6WD



Winches:

- Standard: Adler HY 20 (2 x 100 kN) double-drum winch
Max. cable take-up of 14 mm, 100 m
- Optional: Adler HY 24-O (2 x 120 kN) double-drum winch
Max. cable take-up of 14 mm, 130 m
Adler HY 32-O (2 x 160 kN) double-drum winch
Max. cable take-up of 16 mm, 100 m

Weight:

- from 17 000 kg

Forwarder:

- Standard: Tilttable Epsilon X150 R80
(Max. range 8 m, 170 kNm gross lifting moment)
- Optional: Tilttable Epsilon X150 R104
(Max. range 10.4 m, 170 kNm gross lifting moment)

Tyres:

		Serial 24,5-32 710/45-26,5	30,5-32 710/45-26,5
		904H	Dv
Dh	1465		1485
B*	2430		2730
H	3694		3701
F	672		679
904ZF	H	3694	3701
	F	545	552

* B: minimum machine width
(dimensions in mm)

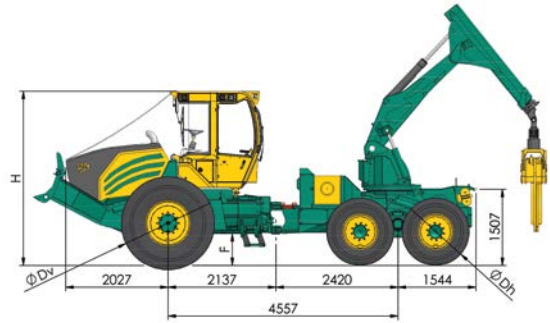
Standard equipment:

- Fixed front polder shield, 2000 mm wide
- Straight shield as sprag brake

Special equipment:

- Clamping workbench on height-adjustable roller block
- "Skidder France" version pulley
- Engine bonnet protection and brush guard made from tubing
- Bogielift back
- Additional accessories on request

904Z 6WD



Winches:

- Standard: Adler HY 20 (2 x 100 kN) double-drum winch
Max. cable take-up of 14 mm, 100 m
- Optional: Adler HY 24-SG (2 x 120 kN) double-drum winch
Max. cable take-up of 14 mm, 130 m
Adler HY 32-SG (2 x 160 kN) double-drum winch
Max. cable take-up of 16 mm, 100 m

Weight:

- from 17 300 kg

Forwarder:

- Standard:
Articulated arm with simple telescope: 6,1 m range
Gross lifting moment: 270 kNm
Swivel range: 210°
Pivoting moment: 80 kNm
Gripper cross-section: 1.2 m² (opt. 0.9 m²)
- Optional: Articulated arm with double telescope: 7.5 m range

Tyres:

		Serial 24,5-32 710/45-26,5	30,5-32 710/45-26,5
		904H	Dv
Dh	1465		1485
B*	2430		2730
H	3500		3507
F	672		679
904ZF	H	3550	3557
	F	545	552

* B: minimum machine width
(dimensions in mm)

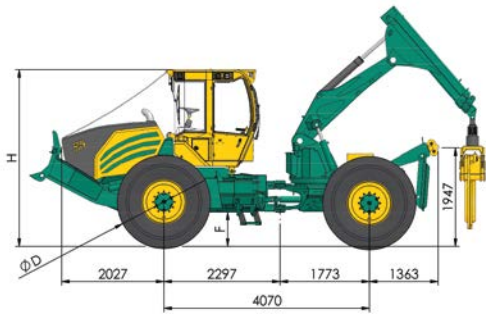
Standard equipment:

- Fixed front polder shield, 2000 mm wide
- Straight shield as sprag brake

Special equipment:

- Hydraulically height-adjustable roller block
- "Skidder France" version pulley
- Engine bonnet protection and brush guard made from tubing
- Bogielift back
- Additional accessories on request

904ZL



Winches:

- Standard: Adler EHY 10 (1 x 100 kN) single-drum winch
Max. cable take-up of 14 mm, 80 m
- Optional: Adler HY 20 (2 x 100 kN) double-drum winch
Max. cable take-up of 14 mm, 100 m
Adler HY 24-O (2 x 120 kN) double-drum winch
Max. cable take-up of 14 mm, 130 m
Adler HY 32-O (2 x 160 kN) double-drum winch
Max. cable take-up of 16 mm, 100 m
Adler HY 32-LO double-drum winch

Weight:

- from 14 700 kg

Forwarder:

- Standard:
Articulated arm with simple telescope: 6,1 m range
Gross lifting moment: 270 kNm
Swivel range: 210°
Pivoting moment: 80 kNm
Gripper cross-section: 1.2 m² (opt. 0.9 m²)
- Optional: Articulated arm with double telescope: 7.5 m range

Tyres:

		Serial 24,5-32	30,5-32
904H	D	1831	1857
	B*	2430	2730
	H	3500	3507
	F	672	679
904ZF	H	3550	3557
	F	545	552

* B: minimum machine width
(dimensions in mm)

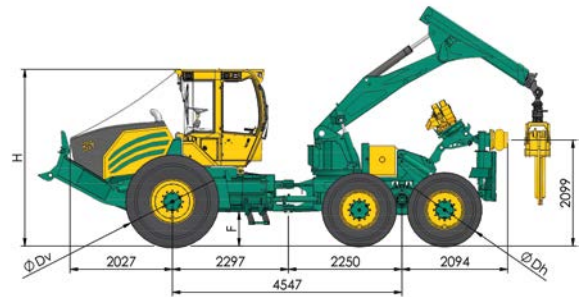
Standard equipment:

- Fixed front polder shield, 2000 mm wide
- Straight shield as sprag brake

Special equipment:

- Hydraulically height-adjustable roller block
- "Skidder France" version pulley
- Straight shield „France“
- Engine bonnet protection and brush guard made from tubing
- Additional accessories on request

904ZL 6WD



Winches:

- Standard: Adler EHY 10 (1 x 100 kN) single-drum winch
Max. cable take-up of 14 mm, 80 m
- Optional: Adler HY 20 (2 x 100 kN) double-drum winch
Max. cable take-up of 14 mm, 100 m
Adler HY 24-O (2 x 120 kN) double-drum winch
Max. cable take-up of 14 mm, 130 m
Adler HY 32-O (2 x 160 kN) double-drum winch
Max. cable take-up of 16 mm, 100 m
Adler HY 32-LO double-drum winch

Weight:

- from 19800 kg

Forwarder:

- Standard:
Articulated arm with simple telescope: 6,1 m range
Gross lifting moment: 270 kNm
Swivel range: 210°
Pivoting moment: 80 kNm
Gripper cross-section: 1.2 m² (opt. 0.9 m²)
- Optional: Articulated arm with double telescope: 7.5 m range

Tyres:

		Serial 24,5-32 750/50-26,5	30,5-32 750/55-26,5
904H	Dv	1831	1857
	Dh	1465	1485
	B*	2920	2920
	H	3500	3507
	F	672	679
904ZF	H	3500	3507
	F	545	552

* B: minimum machine width
(dimensions in mm)

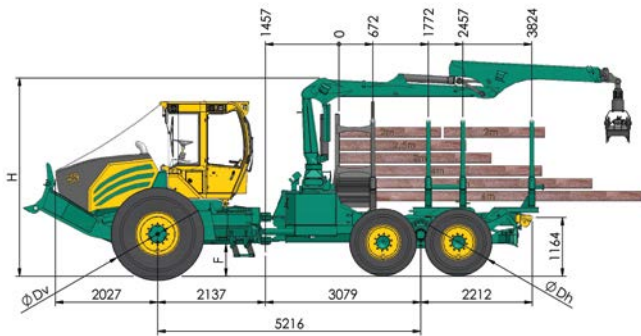
Standard equipment:

- Fixed front polder shield, 2000 mm wide
- Straight shield as sprag brake

Special equipment:

- Hydraulically height-adjustable roller block
- "Skidder France" version pulley
- Straight shield „France“
- Engine bonnet protection and brush guard made from tubing
- Bogielift back
- Additional accessories on request

904F Kombi short



Winches:

- Standard: Adler HY 20 (2 x 100 kN) double-drum winch
Max. cable take-up of 14 mm, 100 m
- Optional: Adler HY 24-SG (2 x 120 kN) double-drum winch
Max. cable take-up of 14 mm, 130 m
Adler HY 32-SG (2 x 160 kN) double-drum winch
Max. cable take-up of 16 mm, 100 m

Weight:

- from 17 600 kg

Payload:

- 11 to

Forwarder:

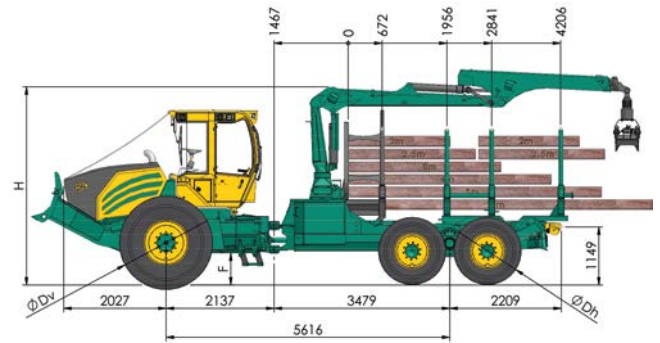
- Epsilon crane M70 F80 (Series)
- Additional cranes on request

Tyres:

		Serial 24.5-32 710/45-26,5	30.5-32 710/45-26,5
904H	Dv	1831	1857
	Dh	1465	1485
	B*	2430	2730
	H	3769	3776
	F	672	679
904ZF	H	3769	3776
	F	545	552

* B: minimum machine width
(dimensions in mm)

904F Kombi long



Winches:

- Standard: Adler HY 20 (2 x 100 kN) double-drum winch
Max. cable take-up of 14 mm, 100 m
- Optional: Adler HY 24-SG (2 x 120 kN) double-drum winch
Max. cable take-up of 14 mm, 130 m
Adler HY 32-SG (2 x 160 kN) double-drum winch
Max. cable take-up of 16 mm, 100 m

Weight:

- from 17 800 kg

Payload:

- 11 to

Forwarder:

- Epsilon crane M70 F80 (Series)
- Additional cranes on request

Tyres:

		Serial 24.5-32 710/45-26,5	30.5-32 710/45-26,5
904H	Dv	1831	1857
	Dh	1465	1485
	B*	2430	2730
	H	3769	3776
	F	672	679
904ZF	H	3769	3776
	F	545	552

* B: minimum machine width
(dimensions in mm)

Standard equipment:

- Headboard grid and first stanchion removable
- Last stanchion can be removed and adjusted to 2.4 m, 3.2 m and 3.8 m
- Height-adjustable roller block
- Torsion lock with hydraulic cylinder
- reversing camera with color monitor
- LED rear headlights

Special equipment:

- Front polder shield
- Straight shield
- Clamping workbench with quick-change plate
- Twin stanchions as 2nd and 3rd stanchion on quick-change plate
- Rotating stanchion
- Bogie lift at the rear
- Additional accessories on request

Standard equipment:

- Headboard grid and first stanchion removable
- Last stanchion can be removed and adjusted to 2.8 m, 3.6 m and 4.2 m
- Height-adjustable roller block
- Torsion lock with hydraulic cylinder
- reversing camera with color monitor
- LED rear headlights

Special equipment:

- Front polder shield
- Straight shield
- Clamping workbench with quick-change plate
- Twin stanchions as 2nd and 3rd stanchion on quick-change plate
- Rotating stanchion
- Bogie lift at the rear
- Additional accessories on request

The variable rear

HSM Crane-list



Last stanchion variable in "short" position



Last stanchion variable in "centre" position



Last stanchion variable in "long" position



Quick-change twin stanchion for 2 x 2 or 2 x 2.5 m wood (not for 805F short version)



Height-adjustable pulleys Up to 2 m



Rope forwarding possible Without reconfiguring the stanchion



Log forwarding with quick-change clamping workbench



Rope forwarding possible without reconfiguring the clamping workbench

HSM Hohenloher Spezial-Maschinenbau GmbH & Co. KG

Technik die Freude macht.

X = available with surcharge O = standard equipment # = not available

	Crane type	Lifting moment	Range	Gripper type	904F
					Kombi
EPSILON	M70 F80	102/68 kNm	8,0 m	FG43S	O
	M70 F86	102/68 kNm	8,6 m	FG43S	X
	M70 F101	102/65 kNm	10,1 m	FG43S	X
	M80 F80	114/79 kNm	8,0 m	FG43S	X
	M80 F86	114/79 kNm	8,6 m	FG43S	X
	M80 F101	114/75 kNm	10,1 m	FG43S	X
	S100 F80	128/91 kNm	8,0 m	FG43S	X
	S100 F86	128/90 kNm	8,6 m	FG43S	X
	S100 F101	128/86 kNm	10,1 m	FG43S	X
	S110 F80	143/104 kNm	8,0 m	FG43S	X
	S110 F86	143/104 kNm	8,6 m	FG43S	X
	S110 F101	143/100 kNm	10,1 m	FG43S	X
	X120 F80	159/111 kNm	8,0 m	FG43S	X
	X120 F86	159/110 kNm	8,6 m	FG43S	X
	X120 F102	159/107 kNm	10,2 m	FG43S	X
	X140 F80	173/123 kNm	8,0 m	FG43S	X
X140 F86	173/122 kNm	8,6 m	FG43S	X	
X140 F102	173/119 kNm	10,2 m	FG43S	X	
Low crane pillar (height: 1730 mm)					
Mesera	F71 F72	99/75 kNm	7,2 m	FG43S	X
	F71 FT85	99/70 kNm	8,5 m	FG43S	X
	F71 FT100	99/66 kNm	10,0 m	FG43S	X
	F71 FT100i	99/66 kNm	10,0 m	FG43S	X
	F83 F72	106/82 kNm	7,2 m	FG43S	X
	F83 FT85	106/76 kNm	8,5 m	FG43S	X
	F83 FT100i	106/73 kNm	10,0 m	FG43S	X
	M 92 F80i	130/84 kNm	8,0 m	FG43S	X
	M 92 FT86i	130/84 kNm	8,6 m	FG43S	X
	M 92 FT100i	130/84 kNm	10,0 m	FG43S	X
	F111 F72	151/111 kNm	7,2 m	FG43S	X
	F111 F85	151/100 kNm	8,5 m	FG43S	X
	F111 FT85	151/100 kNm	8,5 m	FG43S	X
	F111 FT91	151/98 kNm	9,1 m	FG43S	X
	F111 FT100	151/101 kNm	10,0 m	FG43S	X
	M122 F85i	155/110 kNm	8,5 m	FG43S	X
	M122 F96i	155/- kNm	9,6 m	FG43S	X
	M122 FT100i	155/- kNm	10,0 m	FG43S	X
	M142 F85i	178/132 kNm	8,5 m	FG43S	X
	M142 F96i	178/124 kNm	9,6 m	FG43S	X
M142 FT100i	178/- kNm	10,0 m	FG43S	X	

D-74635 Neu-Kupfer
Im Greut 10

Phone + 49 7944 / 9191-0

Fax + 49 7944 / 9191-77

E-mail: info@hsm-forest.com

www.hsm-forest.com

